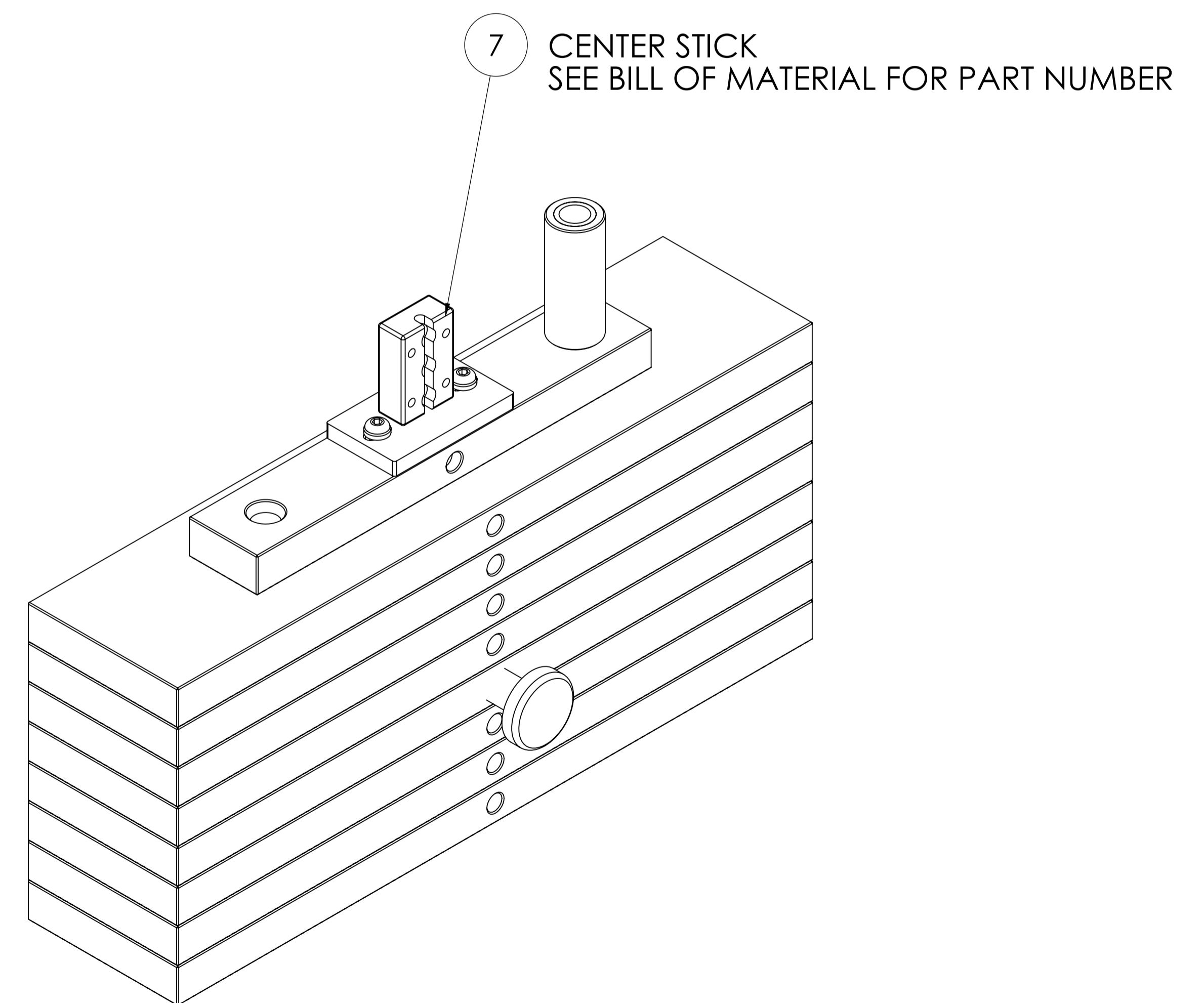
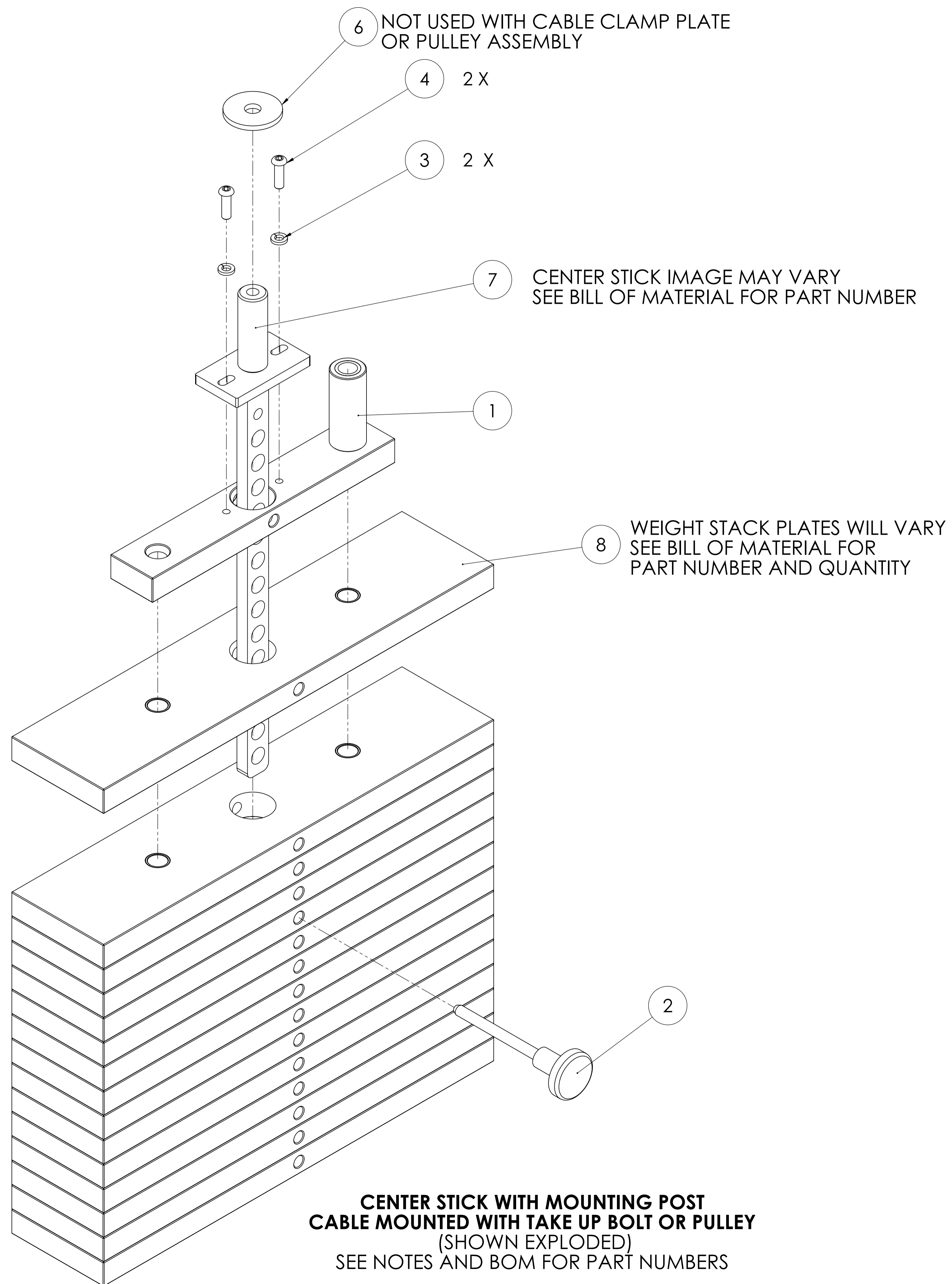


**MATRIX**

DWG NO.		2024 SERVICE	
DESCRIPTION:			
(Strength - Multi Station)			
DRAWN BY:	LMB	DATE:	2013.DEC.17
UPDATED BY:	LG	DATE:	2019.SEP.10



**MATRIX**

DWG NO.

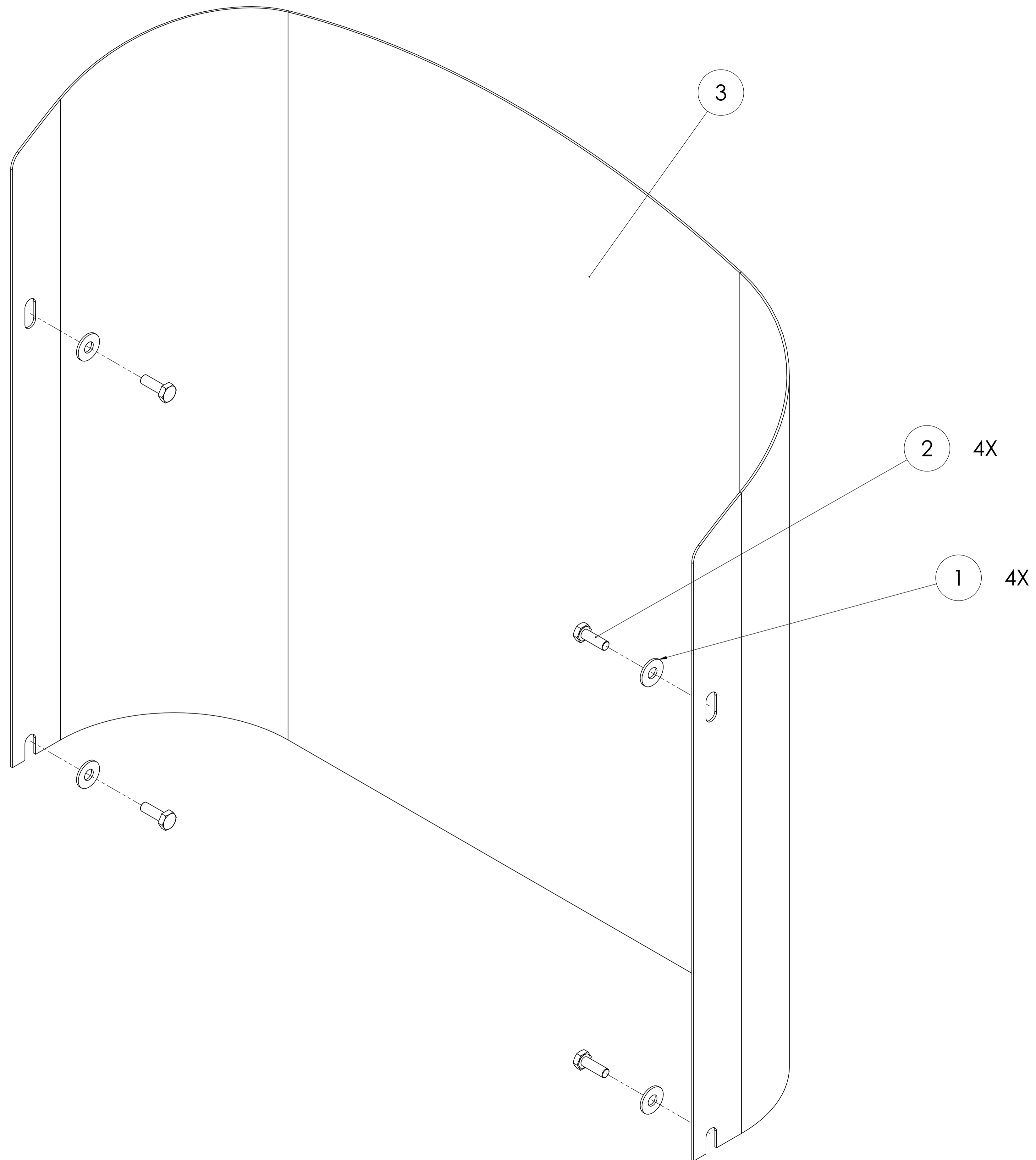
WEIGHT STACK SERVICE

DESCRIPTION:  
WEIGHT STACK/CENTER STICK ASSEMBLY

(Take Up Bolt, Pulley & Clamp Style)

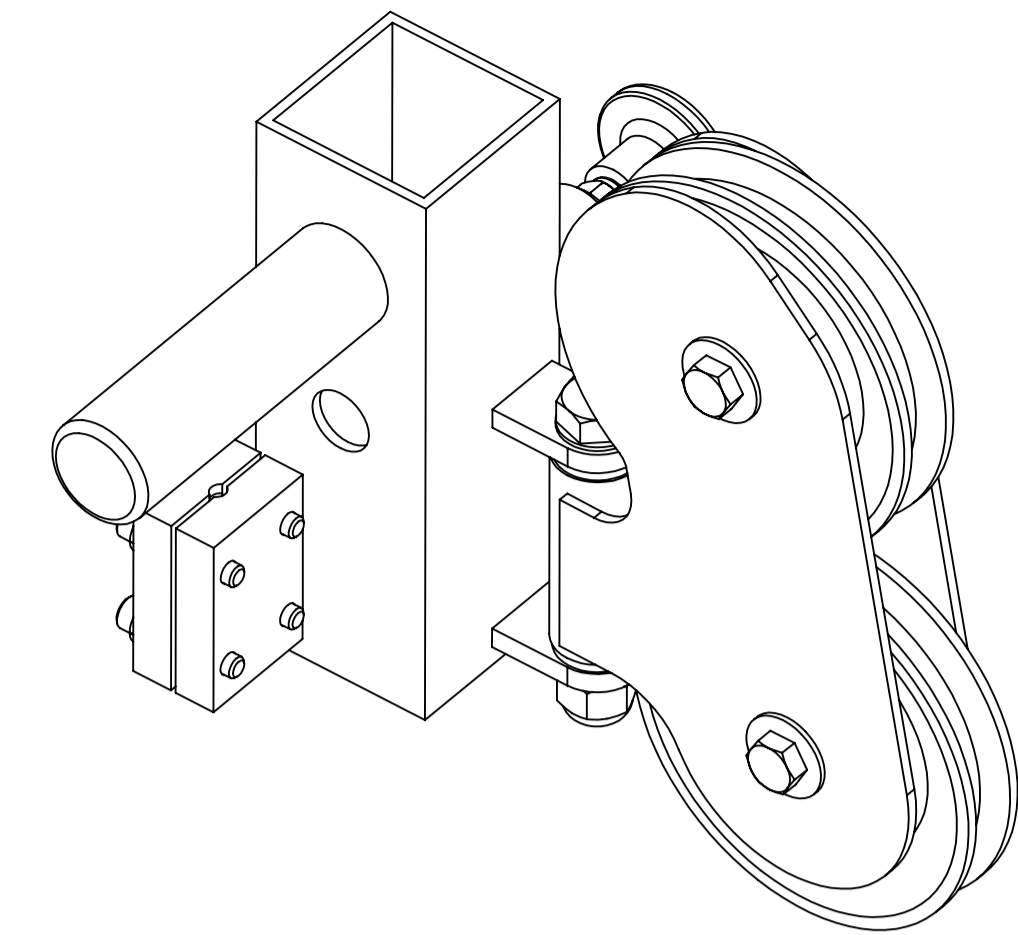
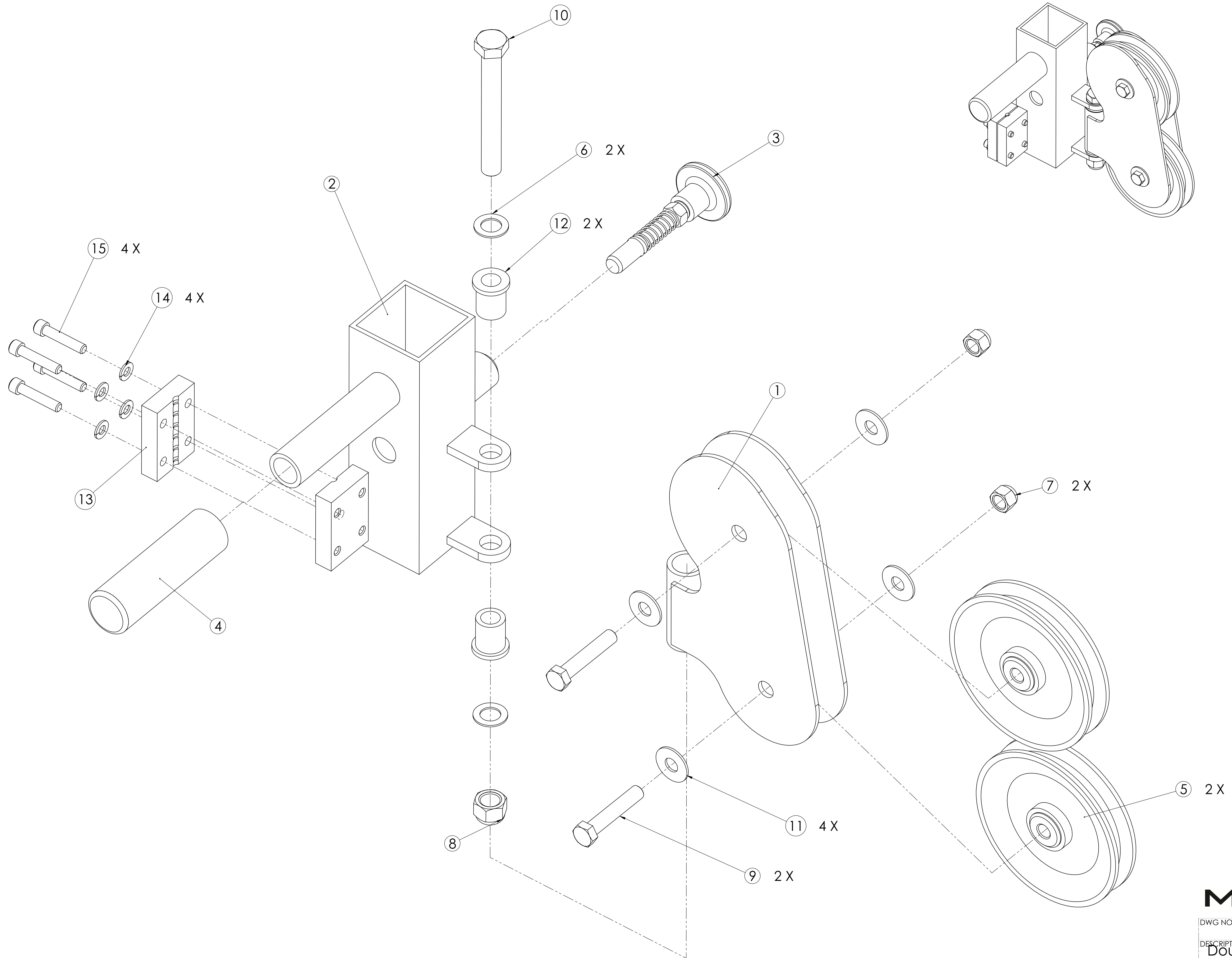
DRAWN BY: LMB DATE: 2013.OCT.10

UPDATED BY: LMB DATE: 2015.FEB.04



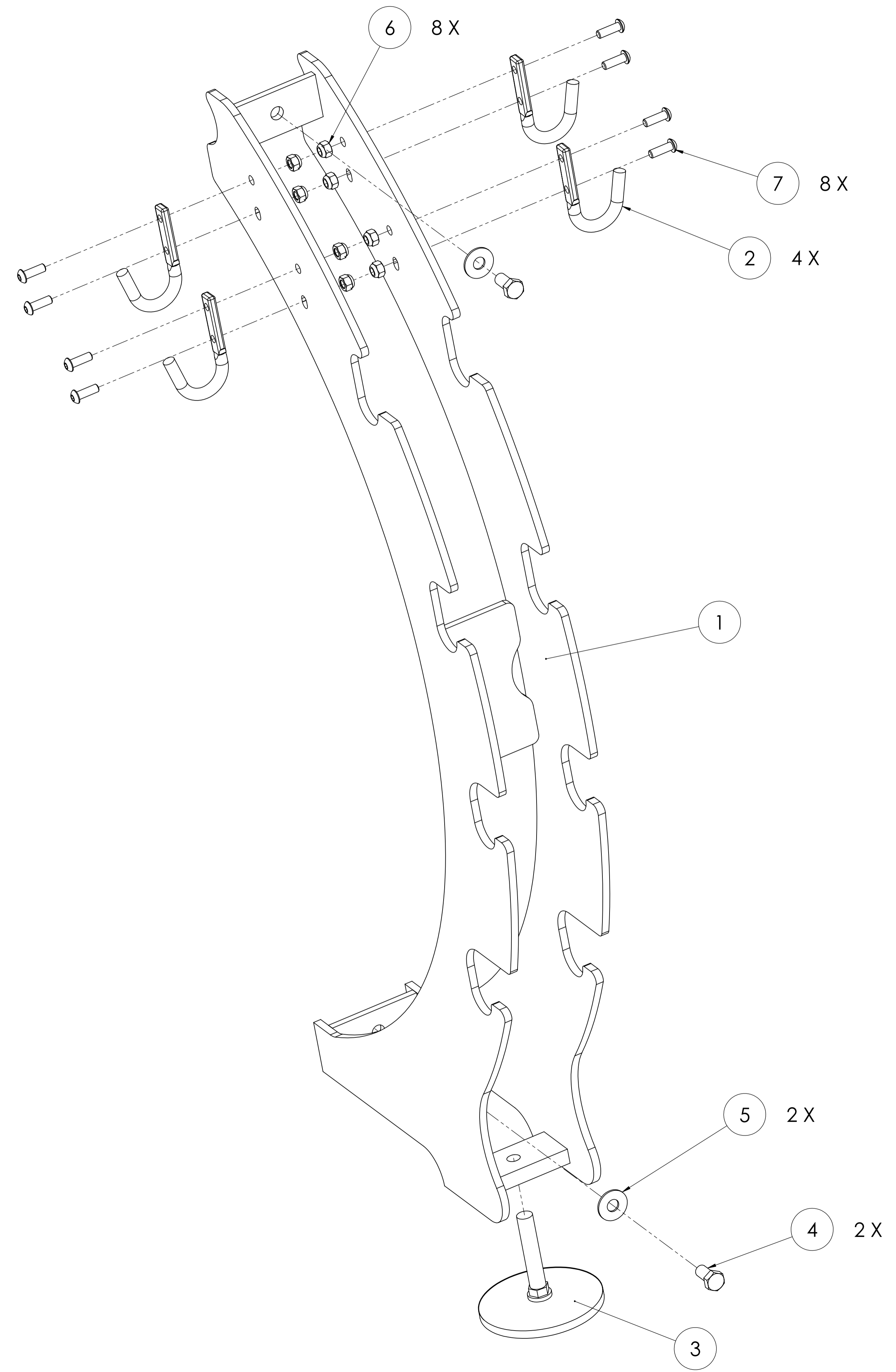
**MATRIX**

DWG NO.	160-136 SERVICE		
DESCRIPTION:	WEIGHT STACK GUARD 20XX RIGHT		
DRAWN BY:	LMB	DATE	2013.SEP.06
UPDATED BY:	LG	DATE	2019.SEP.06



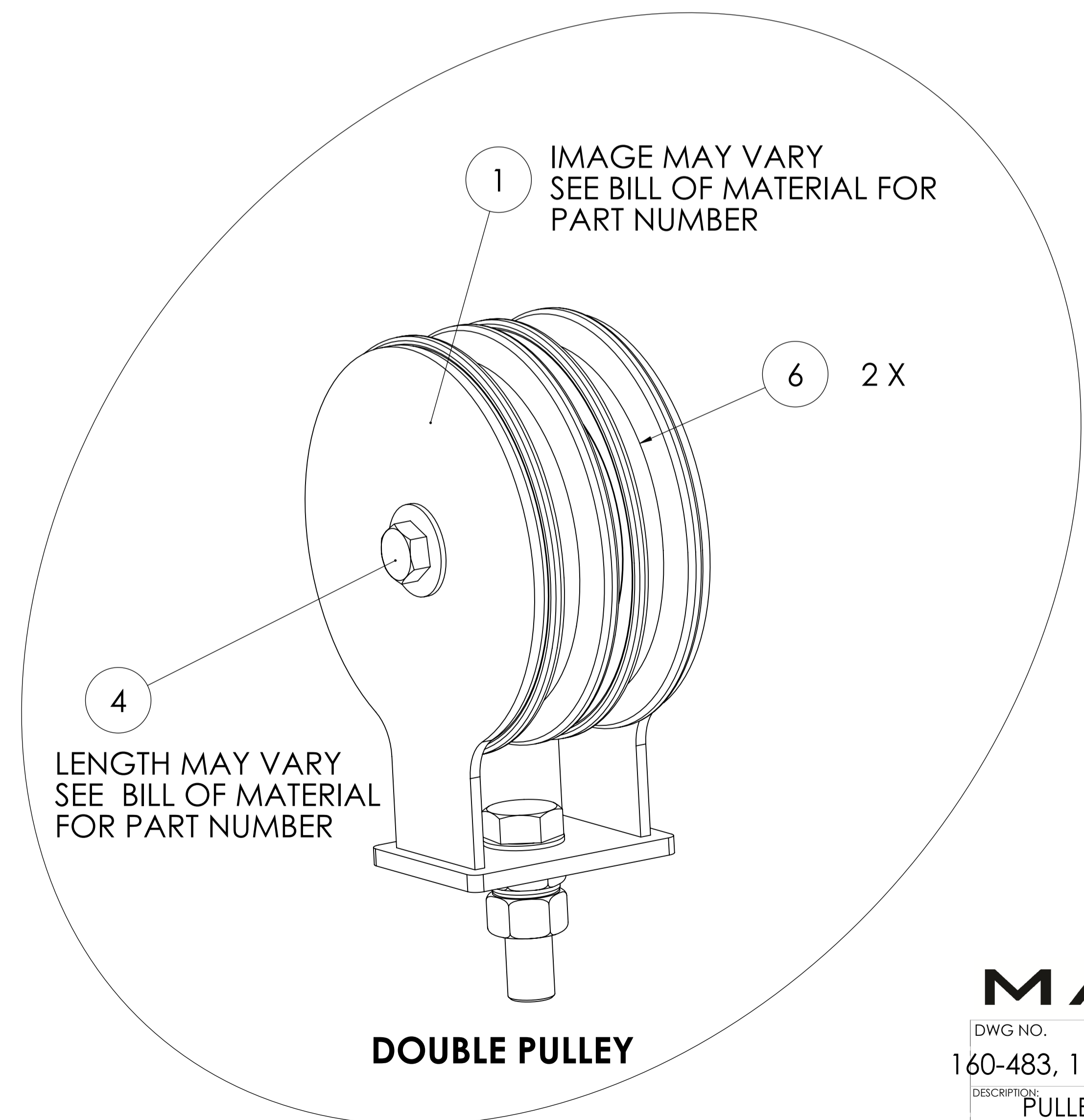
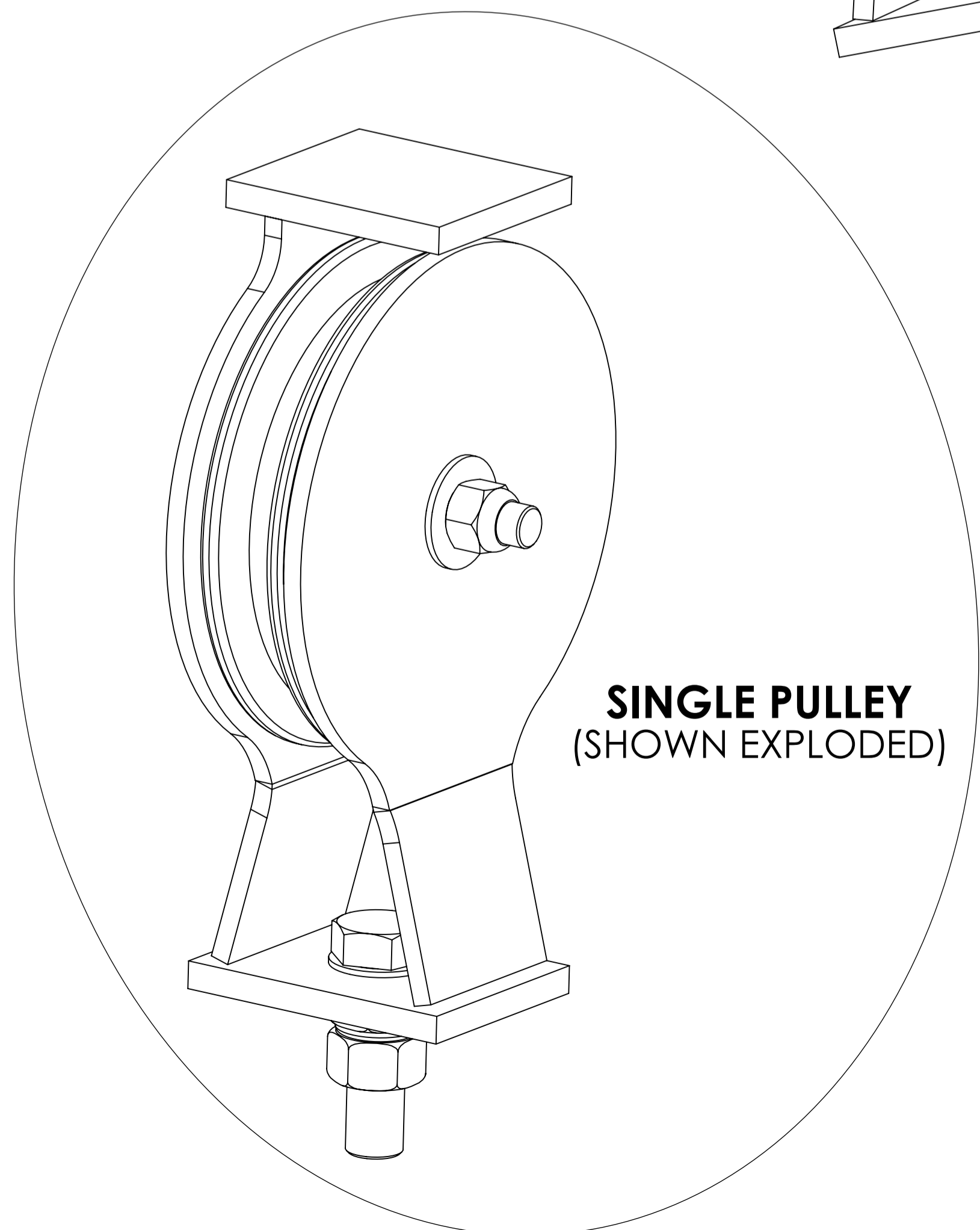
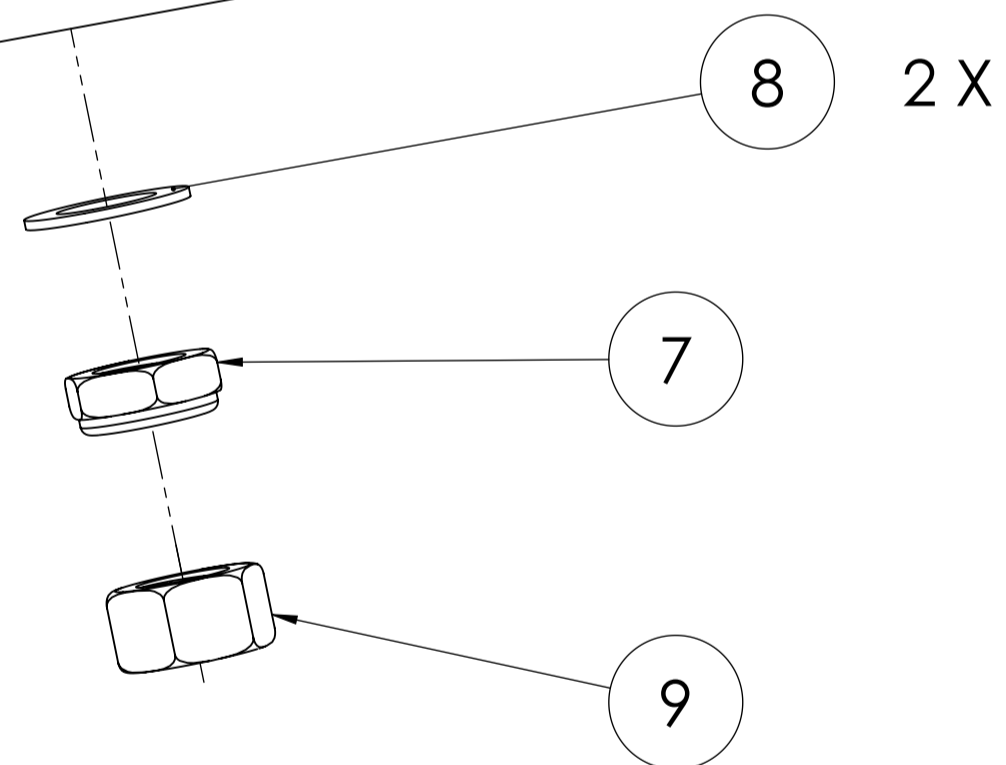
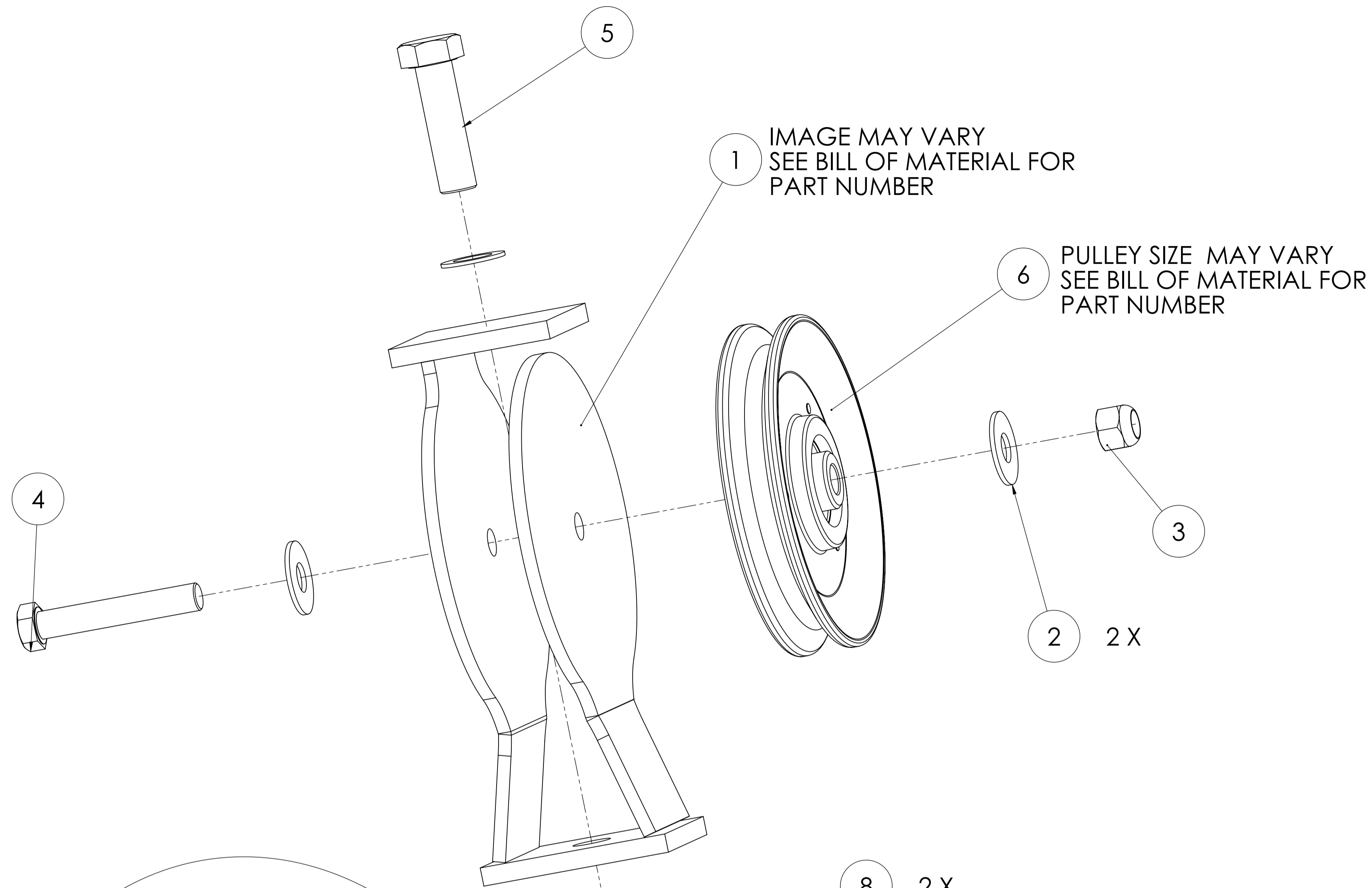
**MATRIX**

DWG NO.	160-146 SERVICE		
DESCRIPTION:	Double Pulley w/Grip 2024		
DRAWN BY:	LMB	DATE	13.10.15
UPDATED BY:	--	DATE	--



**MATRIX**

DWG NO.	160-215 SERVICE		
DESCRIPTION:	2024 ACCESSORY RACK		
DRAWN BY:	LMB	DATE	13.12.17
UPDATED BY:	--	DATE	--



**MATRIX**

DWG NO.  
160-483, 160-484 & 160-492 SERVICE

DESCRIPTION:  
PULLEY;WEIGHT STACK ASSY  
(Single & Double Pulley- Strength)

DRAWN BY: LMB DATE: 2015.FEB.04

UPDATED BY: LMB DATE: 2015.FEB.12

Bubble#	OEM Number	Description
B31	1000308417	2" x 2" END CAP
DP 3	1000308424	SPRING PIN ASSEMBLY
WS Pulley 3	1000308428	3/8" NUT
DP 7	1000308439	NUT;NLK;.375-16;ZN;
WS 16	1000308439	NUT;NLK;.375-16;ZN;
Z23	1000308439	NUT;NLK;.375-16;ZN;
Accessory Rack 5	1000308444	WASHER;FLT;USS;Diam.0.406XDiam.1.000X.06
DP 11	1000308444	WASHER;FLT;USS;Diam.0.406XDiam.1.000X.06
WS 15	1000308444	WASHER;FLT;USS;Diam.0.406XDiam.1.000X.06
WS Pulley 2	1000308444	WASHER;FLT;USS;Diam.0.406XDiam.1.000X.06
Z29	1000308444	WASHER;FLT;USS;Diam.0.406XDiam.1.000X.06
WS Guard 1	1000308446	WASHER;FLT;USS;Diam.0.281XDiam.0.734X.06
WS 9	1000309846	1/2" JAM NUT
WS Pulley 7	1000309846	1/2" JAM NUT
DP 6	1000309847	WASHER, .50 OD X .38 ID X .05
WS 10	1000309847	WASHER, .50 OD X .38 ID X .05
WS Pulley 8	1000309847	WASHER, .50 OD X .38 ID X .05
Z22	1000309848	SCREW;HH;.500-13 x 3.50;ZN;
Z30	1000309849	WASHER;FLT;USS;Diam.0.531XDiam.1.250X.10
Z25	1000309850	NUT;NLK;.500-13;ZN;
DP 8	1000309850	NUT;NLK;.500-13;ZN;
WS Pulley 4	1000309851	SCREW;HH;.375-16 x 2.25;ZN;
Z20	1000309851	SCREW;HH;.375-16 x 2.25;ZN;
Z19	1000309853	SCREW;HH;.250-20 x 1.75;ZN;
Accessory Rack 6	1000309854	NUT;NLK;.250-20;ZN;
Z24	1000309854	NUT;NLK;.250-20;ZN;
Z17	1000309858	3/4" FLAT WASHER
DP 9	1000309871	SCREW;HH;.375-16 x 2.00;ZN;
WS 13	1000309871	SCREW;HH;.375-16 x 2.00;ZN;
Z18	1000309871	SCREW;HH;.375-16 x 2.00;ZN;
Accessory Rack 3	1000310007	Round Leveler

B13	1000310007	Round Leveler
V43	1000310017	MAGNUM LOGO DECAL
DP 10	1000310089	SCREW;HH;.500-13 x 4.00;ZN;
B27	1000310095	1/2" OD x 1/4" ID Plastic Spacer - 1"
DP 14	1000310096	1/4" SPLIT LOCK WASHER
Z26	1000310096	1/4" SPLIT LOCK WASHER
DP 13	1000310165	1/2" x 1 1/2" F.S. - 2 1/4"
WS Guard 2	1000310219	SCREW;HH;.250-20 x 0.75;ZN;
B13	1000310308	4" FOOT (LONG)
Accessory Rack 3	1000310308	4" FOOT (LONG)
WS 4	1000310334	6000 TOP PLATE
B46	1000310339	ROUND WEIGHT STACK BUMPER
WS 1	1000310339	ROUND WEIGHT STACK BUMPER
WS 3	1000310343	Orange SELECTOR PIN w/ 6 1/2" CORD
V42	1000310346	DECAL,SERIAL NUMBER NON-EN
Z21	1000311963	Screw;HH;.375-16x1.25;Zinc
Accessory Rack 4	1000312076	SCREW;HH;.375-16 x 0.75;ZN;
WS 12	1000312091	SCREW;HH;.500-13 x 1.75;ZN;
WS Pulley 5	1000312091	SCREW;HH;.500-13 x 1.75;ZN;
WS 7	1000312127	BHS 5/16" - 1"
Accessory Rack 7	1000312129	SCREW;BHC;.250-20 x 0.75
Z33	1000312143	1/4" x 1/2" BOLT
WS 8	1000312159	1/2 - 13 NUT
WS Pulley 9	1000312159	1/2 - 13 NUT
DP 8	1000312161	NUT;NLK;.500-13;ZN;TALL;
Z25	1000312161	NUT;NLK;.500-13;ZN;TALL;
B12	1000312237	3" FOOT
DP 12	1000312296	Flange Bushing - 3/4"OD x 1/2"ID
B11	1000312306	5/8" SET COLLAR
Z30	1000312700	7/16" FLAT WASHER
Accessory Rack 7	1000312711	1/4" x 1/2" BUTTON HEAD



WS 6	1000312817	5/16" SPLIT LOCK WASHER
WS 11	1000312884	Bolt On Pulley Top for 4" Pulley
DP 4	1000312890	Grip;1" x 10"
B39	1000312893	3/8" SAFETY CLIP
DP 15	1000312901	SHCS - 1/4-20 x 1 1/4"
B35	1000312973	Rope - 312"
B36	1000312976	HANDLE W-STRAP D-RING (SHORT)
B45	1000313553	Foam Grip;1" ID x 4.5"
WS 4	1000313741	TOP WEIGHT PLATE
WS 3	1000315002	SELECTOR PIN w/ 6 1/2" CORD
B32	1000317717	GUARD - Placard Side
V44	1000317725	Weight Stack Decals
B10	1000317727	5/8" RUBBER GROMMET
WS 2	1000321944	WEIGHT PLATE 20# W_BUSHINGS 18.4 X 4.3X
AB5	1000323299	2" x 2" TUBE - 79 1/2" (CHROMED)
V44	1000328403	900 STACK DECALS, MEDIUM
B35	1000329532	Cable Set;FT
WS Set	1000331023	WEIGHT STACK WO PULLEY 10+1
WS 5	1000331024	CENTER STICK 11x FLOATING PULLEY
B34	1000331358	Foam Grip;1.25" ID x 7";Closed End
WS Guard Set	1000334055	2000 TOWER SERIES WEIGHT STACK GUARD;Right
WS 11	1000339234	Bolt On Pulley Top for 4" Pulley;Black R
WS 5	1000341227	CENTER STICK 11x FLOATING PULLEY;Black R
B38	1000342316	Rubber Stopper;Cable Ball;Drilled 3/8" f
WS 11	1000343514	Weldment;Pulley Top;4";Black Ridge
V40	1000345333	Decal;Hi-low ROM
V41	1000345334	Decal;Hi-low ROM 17
Accessory Rack 1	1000345809	2024 AC. RACK
Double Pulley 2	1000345817	SINGLE PULLEY
B9	1000345824	5/8" GUIDE ROD - 76"
Accessory Rack 2	1000345904	2 1/2" J-HOOK

Double Pulley Set	1000346603	Double Pulley w/Grip 2024
AB1	1000346617	2024 WELDMENT;Iced Silver
AB1	1000346618	2024 WELDMENT;Black Glossy
AB1	1000346619	2024 WELDMENT;Lace White
AB2	1000346630	2024 WELDMENT;Iced Silver
AB2	1000346631	2024 WELDMENT;Black Glossy
AB2	1000346632	2024 WELDMENT;Lace White
AB3	1000346643	MT-4 CROSS BAR;Iced Silver
AB3	1000346644	MT-4 CROSS BAR;Black Glossy
AB3	1000346645	MT-4 CROSS BAR;Lace White
Accessory Rack Set	1000346656	2024 ACCESSORY RACK
B7	1000346775	Left Drop Plate Bracket Assy;Black Ridge
B8	1000346776	Right Drop Plate Bracket Assy;Black Ridge
B16	1000347532	4.5" Pulley for Rope / Cable
DP 5	1000347532	4.5" Pulley for Rope / Cable
WS 14	1000347532	4.5" Pulley for Rope / Cable
WS Pulley 6	1000347532	4.5" Pulley for Rope / Cable
B28	1000349022	1/8" Plasma Cable Keeper;Ice Silver
B28	1000349023	1/8" Plasma Cable Keeper;Black Glossy
B28	1000349024	1/8" Plasma Cable Keeper;Lace White
WS 11	1000350407	Weldment;Floating Pulley;Black Ridge
B37	1000352442	D Ring for Rope Assy;Black Ridge
B37	1000365174	D Ring;Purchased;
DP 1	1000370083	Weldment;Double Pulley;
DP 1	1000370084	Weldment;Double Pulley;
DP 1	1000370085	Weldment;Double Pulley;
B15	1000379467	Drop Plate Assy;9000 Series;Black Ridge
B17	1000379468	Drop Plate Assy;Reversed;900 Series;Black Ridge
Not Shown	1000384006	Serial Number Label;4" x 1.5";3M;
WS 11	1000386596	WEIGHT STACK PULLEY ASSEMBLY
WS Pulley Set	1000386596	Pulley Asy;Single;Black Ridge;

WS Guard 1	1000444964	WS Guard;
WS 5	1000463008	Center Stick - 11" C125;Black Texture